



## EKL 22216

130/180W TDP Premium Cooler for  
INTEL<sup>®</sup> Socket LGA 17XX, 1200, 115X  
and AMD Socket LGA AM5, PGA AM4

# Optimum cooling performance for INTEL<sup>®</sup> & AMD processors

### Product description

The EKL 22216 dissipates the heat from your processor ideally and reliably. Thanks to its height of 146 mm, the EKL 22216 is suitable for all high-performance systems and workstations. The screw mounting developed for INTEL<sup>®</sup> LGA 17XX, 1200 and 115X sockets as well as AMD LGA AM5 and PGA AM4 is particularly simple and secure: place the appropriate backplate, attach the cooler, tighten the 4 spring screws - done. The built-in fan has a 4-pin connection and can therefore be controlled manually via the mainboard. This enables an adjustable speed range of 600 - 1600 rpm.

Maximum TDP 130W for AMD LGA AM5 processors only; TDP 180W for all other compatible processors. Heatpipes should run parallel to the long side of the Intel<sup>®</sup> CPU. Subject to change without notice (01/23).

### Main features

- ✓ Powerful tower design
- ✓ Secure and stable screw mounting
- ✓ High-performance thermal paste
- ✓ Powerful and low-vibration 120 mm PWM fan

**Advice & ordering:**

 **+49 (0)7561 9837-0**

 **info@ekl-ag.de**



\* Thermal and mechanical compatibility may vary depending on the system used  
\*\* According to manufacturer specifications

[www.ekl-ag.de](http://www.ekl-ag.de)

# EKL 22216 Technical data



## Cooler properties

Retail article number	22210021016
EAN Retail	4250280327779
Power loss	130/180*W TDP
Material	Aluminium + copper
Weight	482 g
suitable for	INTEL® Socket LGA 17XX INTEL® Socket 1200 INTEL® Socket 115X AMD Socket LGA AM5 AMD Socket PGA AM4

## Fan properties

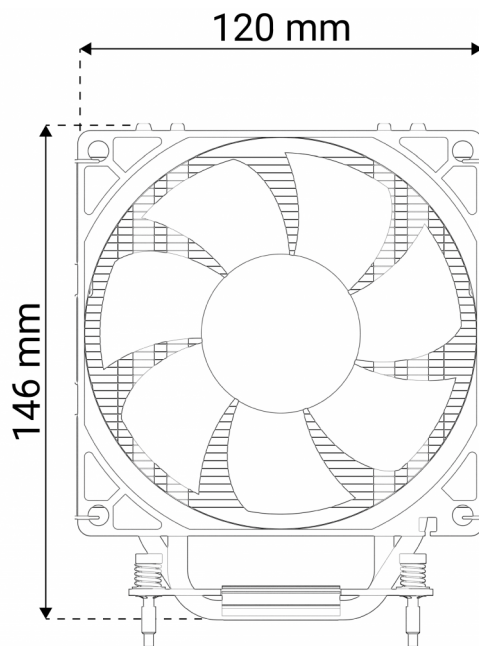
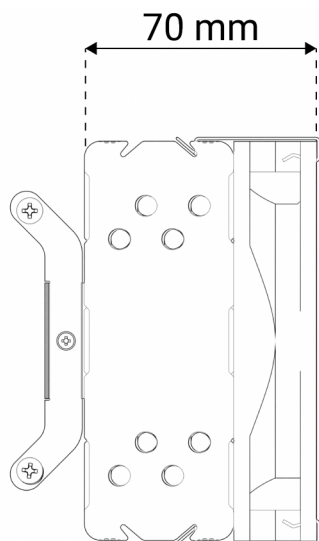
Width	70 mm
Length	120 mm
Height	146 mm
Speed min.	600 U/min
Speed max.	1600 U/min
Warehouse	Double ball bearing
Operating voltage	12 VDC
Volume flow	75.9 m <sup>3</sup> /h
Noise level min.	29.4 dB(A)
Service life L10	30000 h by 40 °C



\* Thermal and mechanical compatibility may vary depending on the system used  
\*\* According to manufacturer specifications

[www.ekl-ag.de](http://www.ekl-ag.de)

# EKL 22216 Dimensions



\* Thermal and mechanical compatibility may vary depending on the system used  
\*\* According to manufacturer specifications

[www.ekl-ag.de](http://www.ekl-ag.de)