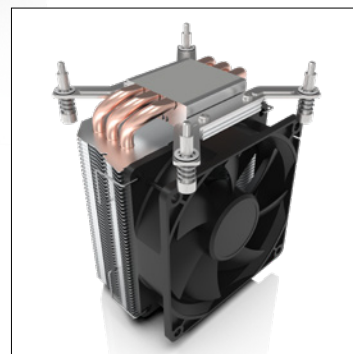
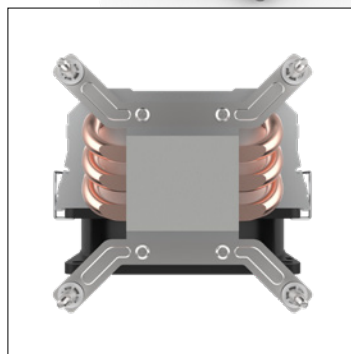


EKL 22206

65W TDP Premium Cooler for Intel[®] Socket LGA 17XX

- Powerful tower design
- Safe and stable screw mounting with included backplate for Intel[®] Socket LGA 17XX
- High performance thermal paste
- Quiet and low-vibration 92 mm PWM fan

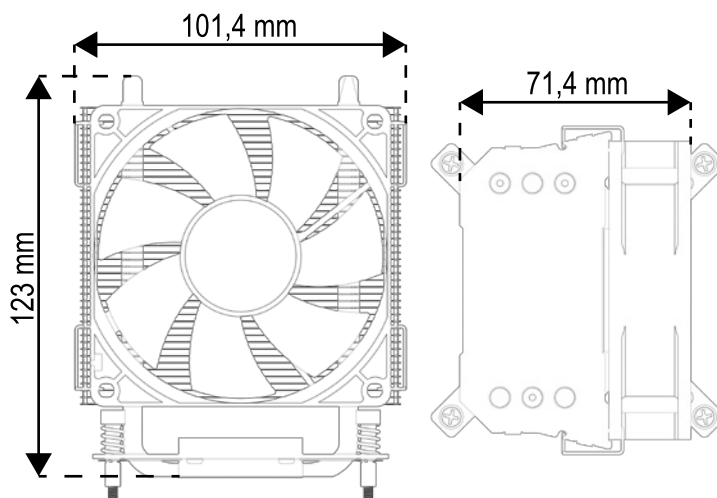


The EKL 22206 dissipates the heat from your processor ideally and reliably. With its low height of only 123 mm, the EKL 22206 is suitable for all common systems and workstations. The screw mounting developed for Intel[®] Socket LGA 17XX is particularly easy and safe: Just put on the backplate, put on the cooler, tighten 4 spring screws and you're done. The built-in fan has a 4-pin PWM connection and can therefore be controlled manually via the mainboard. This enables an adjustable speed range of 500 - 1800 RPM.

Specifications

Part number (Retail)	22210121006
Part number (Bulk)	
EAN (Retail)	4250280331820
EAN (Bulk)	
Thermal Design Power	65W
Material	Aluminium, Copper
Weight	440 g
Packaging	8 coolers / carton
Compatibility	Intel [®] LGA 17XX
Dimensions	71,4 x 101,4 x 123 mm
Speed	500 - 1800 RPM
Bearing	Hydraulic bearing
Rated Voltage	12 VDC
Airflow	48,25 m ³
Noise	22,8 dB(A)
Lifetime L10	25000 h at 25° C

Dimensions



The thermal and mechanical compatibility can vary depending on the system used. All information according to manufacturer specifications. The maximum tightening torque for screw mounting is 1 Nm. Heatpipes are suggested to be parallel to long side of CPU. Data subject to change (11/21).