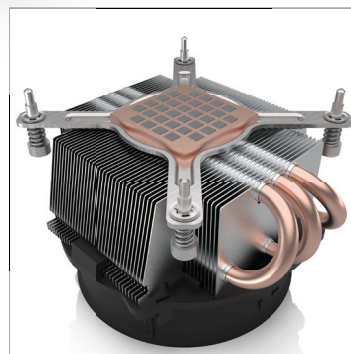
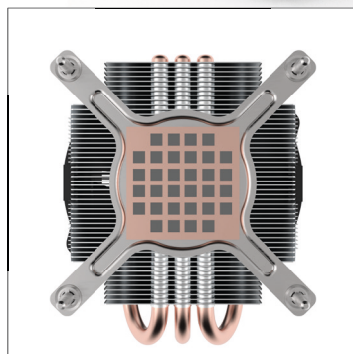
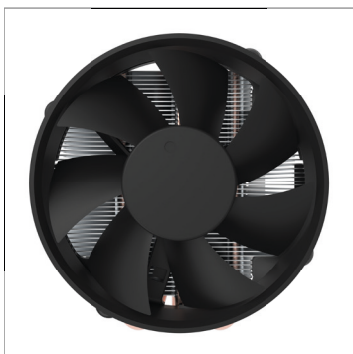
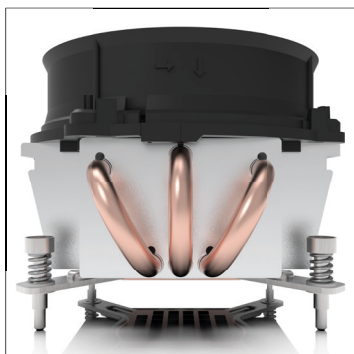


## EKL 22215

### 65W TDP Premium Cooler for Intel<sup>®</sup> Socket LGA 17XX

- Powerful top flow design
- High performance thermal paste
- Quiet and low-vibration 92 mm PWM fan
- Safe and stable screw mounting with included backplate for Intel<sup>®</sup> Socket LGA 17XX

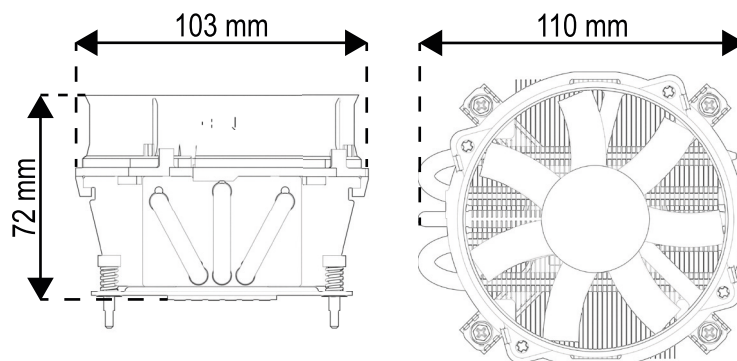


The EKL 22215 dissipates the heat of your processor ideally and reliably through its three heat pipes. With a compact height of only 72 mm, the EKL 22215 is ideal for all compact PC systems, workstations or even for the normal office PC. The built-in fan has a 4-pin connector and can therefore be controlled manually via the mainboard. This enables an adjustable speed range of 500 - 1800 rpm. Thanks to the existing PWM signal, the fan operates depending on the load of the CPU.

#### Specifications

Part number (Retail)	
Part number (Bulk)	22210121015
EAN (Retail)	
EAN (Bulk)	4250280317473
Thermal Design Power	65W
Material	Aluminium, Copper
Weight	400 g
Packaging	18 coolers / carton
Compatibility	Intel <sup>®</sup> LGA 17XX
Dimensions	110 x 103 x 72 mm
Speed	500 - 1800 RPM
Bearing	Hydraulic bearing
Rated Voltage	12 VDC
Airflow	56,5 m <sup>3</sup> /h
Noise	22,7 dB(A)
Lifetime L10	50000 h at 40° C 13000 h at 60° C

#### Dimensions



The thermal and mechanical compatibility can vary depending on the system used. All information according to manufacturer specifications. The maximum tightening torque for screw mounting is 1 Nm. Heatpipes are suggested to be parallel to long side of CPU. Data subject to change (08/22).