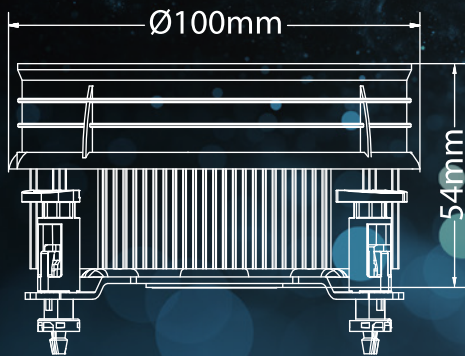


# EKL 21926

for socket 115X, 1200 up to 77W TDP

**EKL**<sup>®</sup>  
electronics cooling



## Optimal Cooling Output for INTEL<sup>®</sup> Processors

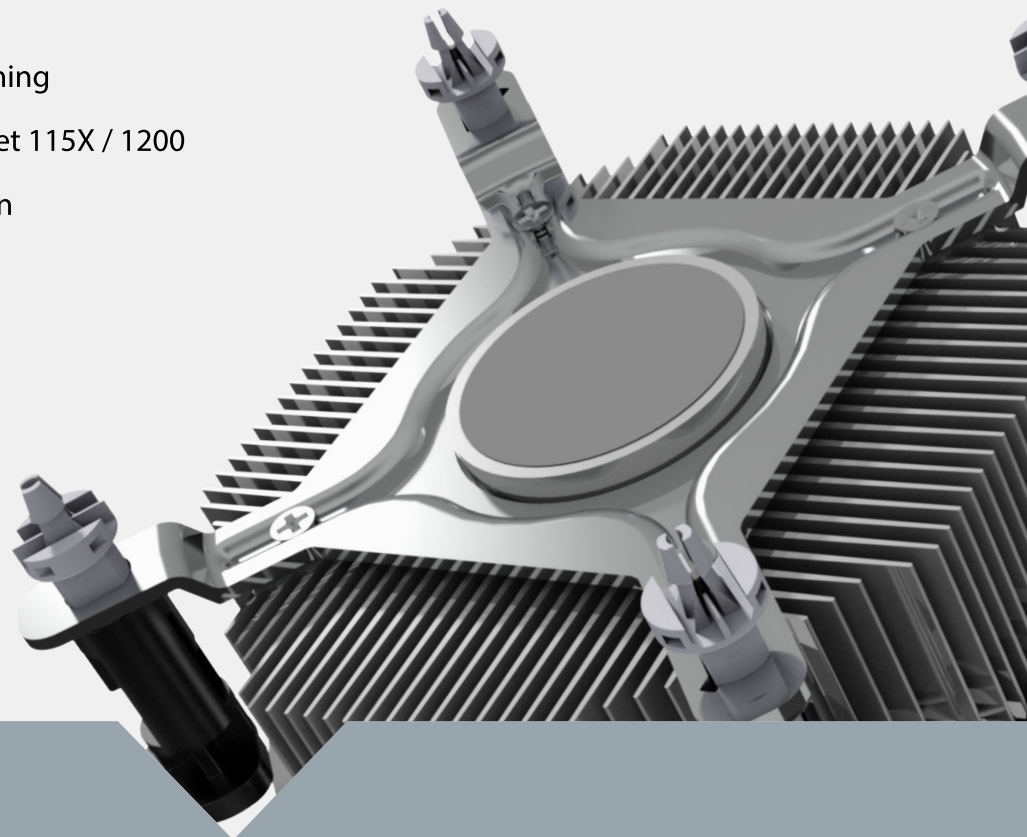
**The EKL AG offers high - end CPU Cooler for  
INTEL<sup>®</sup> and AMD Processors**

EKL 21926 consists of an extrusion profile and dissipates the heat of your processor ideally and reliably. Having a compact height of just 54mm this cooler is ideally suited for any compact PC systems, work stations or also for the common office PC.

The mounted PWM cooler is supplied with a 4-pin connection and so can be controlled via the mainboard. This allows a regulated rpm range of 600 - 2500 rpm.

## Key Features

- Simple Intel<sup>®</sup> ref. Push-Pin Fastening
- Mounting system for Intel<sup>®</sup> socket 115X / 1200
- Cost optimized aluminum design
- High-performance TIM
- Silent 92mm PWM fan



+49 (0) 7561 9837 0

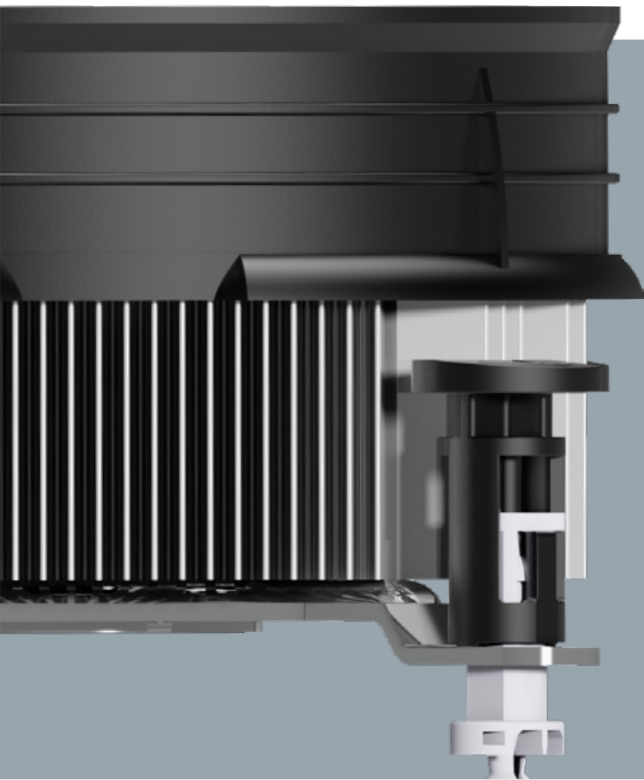


info@ekl-ag.de

■ Optimal Cooling Output

■ Simple and Safe Fastening

■ Long Lifetime



## Heatsink Specifications

Part number:	21910121026
Thermal design power:	77W TDP
Material:	Aluminum
Weight:	326g
Packaging unit:	18 cooler / carton
Compatibility*:	Intel® socket 115X / 1200

## Fan Specifications\*\*

Dimensions:	Ø 92 x 25 mm
Speed:	600 - 2500 rpm
Bearing:	Hydraulic Bearing
Rated Voltage:	12 VDC
Airflow:	81,28 m <sup>3</sup> /h
Noise level:	max. 34,8 dB(A)
Lifetime L10:	40.000 h at 40°C



\* thermal and mechanical compatibility may differ due to the specific system used.

\*\* According manufacturers datasheet.

**EKL AG**

**electronics cooling**

Nadlerstraße 8 - 10 \* 88299 Leutkirch im Allgäu

Phone: +49 (0) 7561 9837 0 \* Fax: +49 (0) 7561 9837 20

E-Mail: info@ekl-ag.de

[www.ekl-ag.de](http://www.ekl-ag.de)

**EKL®**  
electronics cooling