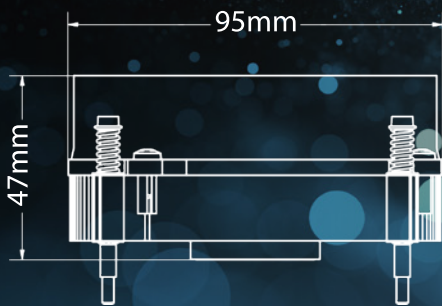


EKL 21943

for socket 115X, 1200 up to 73W TDP

EKL[®]
electronics cooling



Optimal Cooling Output for INTEL Processors

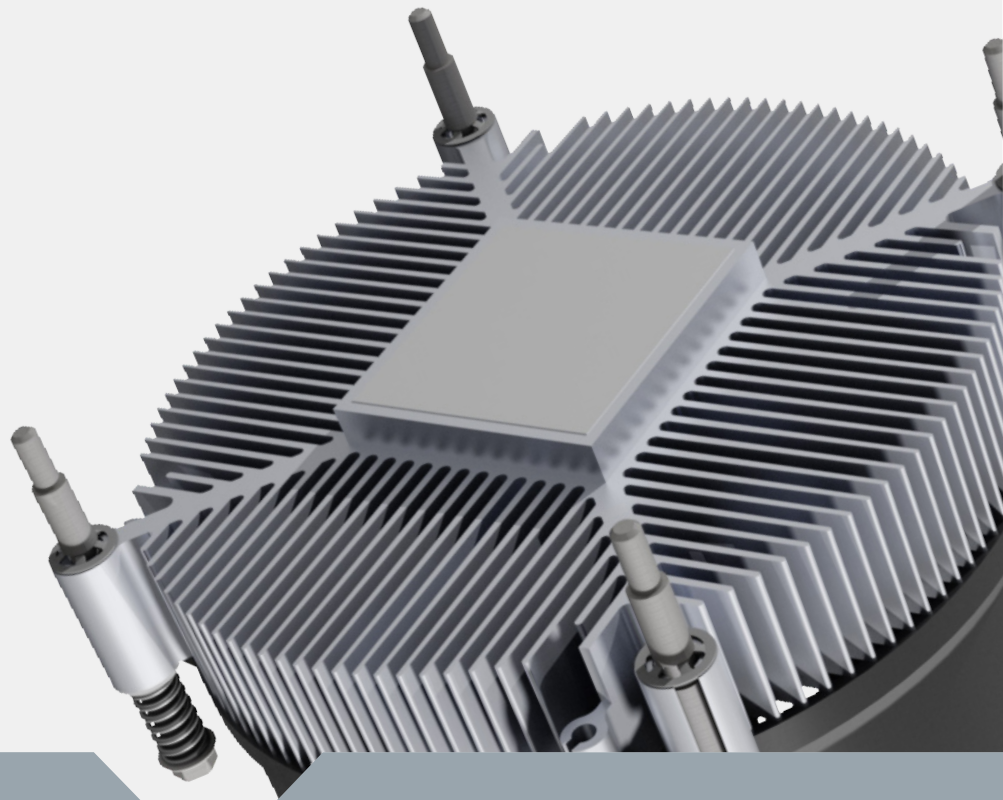
The EKL AG offers high- end CPU Cooler for INTEL[®] and AMD Processors

EKL 21943 consists of an extrusion profile and dissipates the heat of your processor ideally and reliably. Having a compact height of just 46,9mm this cooler is ideally suited for any compact PC systems, work stations or also for the common office PC.

The mounted PWM cooler is supplied with a 4-pin connection and so can be controlled via the mainboard. This allows a regulated rpm range of 900 - 2200 rpm. Because of the existing PWM signal the fan acts according to the respective CPU processing load.

Key Features

- Safe and simple screw mounting
- Low profile
- Cost-optimized aluminium design
- High-performance TM
- Silent 92mm PWM fan
- Secure backplate already included



+49 (0) 7561 9837 0

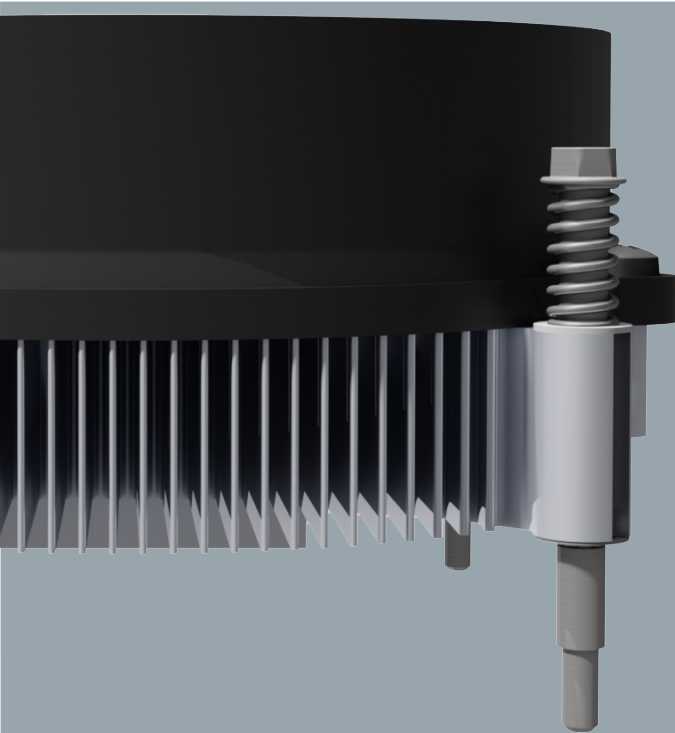


info@ekl-ag.de

■ Optimal Cooling Output

■ Simple and Safe Fastening

■ Long Lifetime



Heatsink Specifications

Part number:	EKL 21943
Thermal design power:	73W TDP
Material:	Aluminum
Weight:	200g
Packaging unit:	30 cooler / carton
Compatibility*:	Intel socket 115X / 1200

Fan Specifications**

Dimensions:	Ø 92 x 25 mm
Speed:	900 - 1200 rpm
Bearing:	Hydraulic Bearing
Rated Voltage:	12 VDC
Airflow:	71,95 m ³ /h
Noise level:	30,1 dB(A)
Lifetime L10:	40.000 h at 40°C
Certificates:	CE



* thermal and mechanical compatibility may differ due to the specific system used.

** According manufacturers datasheet.

EKL AG

electronics cooling

Nadlerstraße 8 - 10 * 88299 Leutkirch im Allgäu

Phone: +49 (0) 7561 9837 0 * Fax: +49 (0) 7561 9837 20

E-Mail: info@ekl-ag.de

www.ekl-ag.de

EKL[®]
electronics cooling