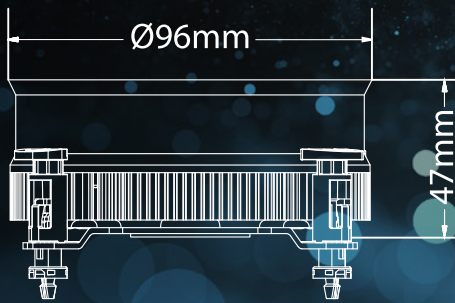


EKL 21960

for socket 115X, 1200 up to 73W TDP

EKL[®]
electronics cooling



Optimal Cooling Output for INTEL[®] Processors

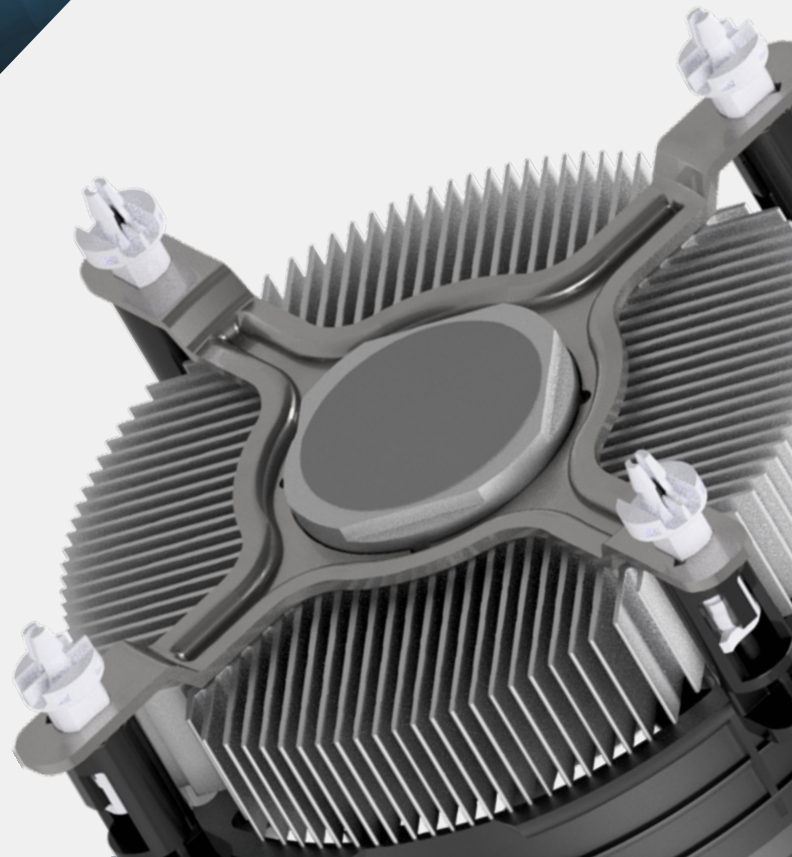
**The EKL AG offers high - end CPU Cooler for
INTEL[®] and AMD Processors**

EKL 21960 consists of an extrusion profile and dissipates the heat of your processor ideally and reliably. Having a ultra compact height of just 47mm this cooler is ideally suited for any compact PC systems, work stations or also for the common office PC.

The mounted PWM cooler is supplied with a 4-pin connection and so can be controlled via the mainboard. This allows a regulated rpm range of 700 - 1900 rpm.

Key Features

- Simple Intel[®] ref. Push-Pin Fastening
- Mounting system for Intel[®] socket 115X / 1200
- Cost optimized aluminum design
- High-performance TIM
- Silent 96mm PWM fan



+49 (0) 7561 9837 0

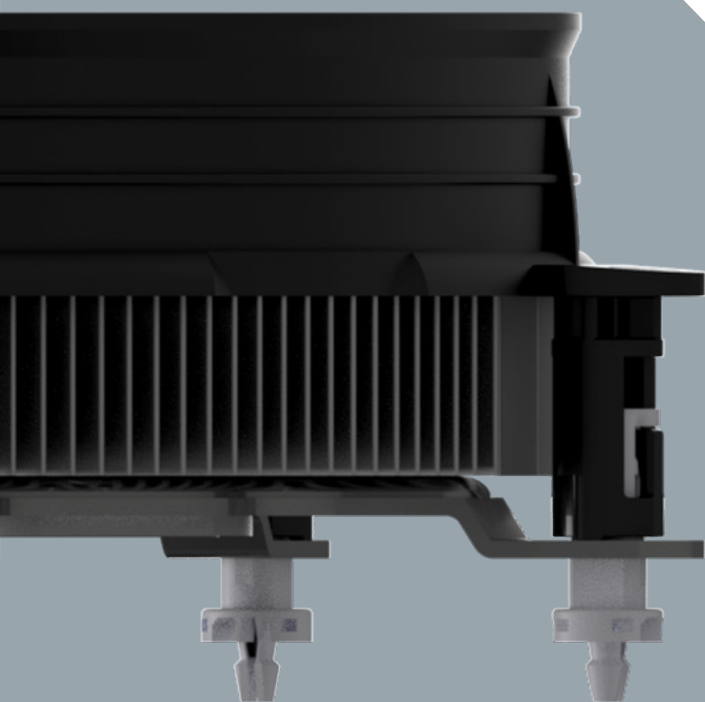


info@ekl-ag.de

■ Optimal Cooling Output

■ Simple and Safe Fastening

■ Long Lifetime



Heatsink Specifications

Part number:	21910121060
Thermal design power:	73W TDP
Material:	Aluminum
Weight:	115g
Packaging unit:	20 cooler / carton
Compatibility*:	Intel® socket 115X / 1200

Fan Specifications**

Dimensions:	Ø 96 x 25 mm
Speed:	700- 1900 rpm
Bearing:	Hydraulic Bearing
Rated Voltage:	12 VDC
Airflow:	47,23 m ³ /h
Noise level:	24,5 dB(A)
Lifetime L10:	25.000 h at 25°C



* thermal and mechanical compatibility may differ due to the specific system used.

** According manufacturers datasheet.

EKL AG

electronics cooling

Nadlerstraße 8 - 10 * 88299 Leutkirch im Allgäu

Phone: +49 (0) 7561 9837 0 * Fax: +49 (0) 7561 9837 20

E-Mail: info@ekl-ag.de

www.ekl-ag.de

EKL®
electronics cooling